

QUOTE REQUEST

TELESCOPIC STEEL COVERS (NEW)

||| HENNIG

Please complete this form and email to info@hennig-inc.com or fax to your nearest location.
Find your nearest Hennig location.

www.hennigworldwide.com

COMPANY (complete address)

Name _____
Title _____
E-mail _____
Phone _____ Fax _____ Date ____/____/____

TECHNICAL DATA / EXISTING COVER DIMENSIONS

Quantity _____ Each Set
Number of Boxes _____
Cover Type _____
Mounting Configuration _____
Width of Cover _____

Height of Cover (HOC) _____
Height Over Ways (HOW) _____
Angle (α) _____
Height of Side (HOS) _____
Width of Top (WOT) _____

APPLICATION

Manufacturer Hennig Hennig Partner Other
Hennig or Partner Part # _____
OEM Part # _____

Cover Orientation
 Horizontal Vertical Cross Rail Slant Bed
 Column/Table Other _____

MACHINE TYPE

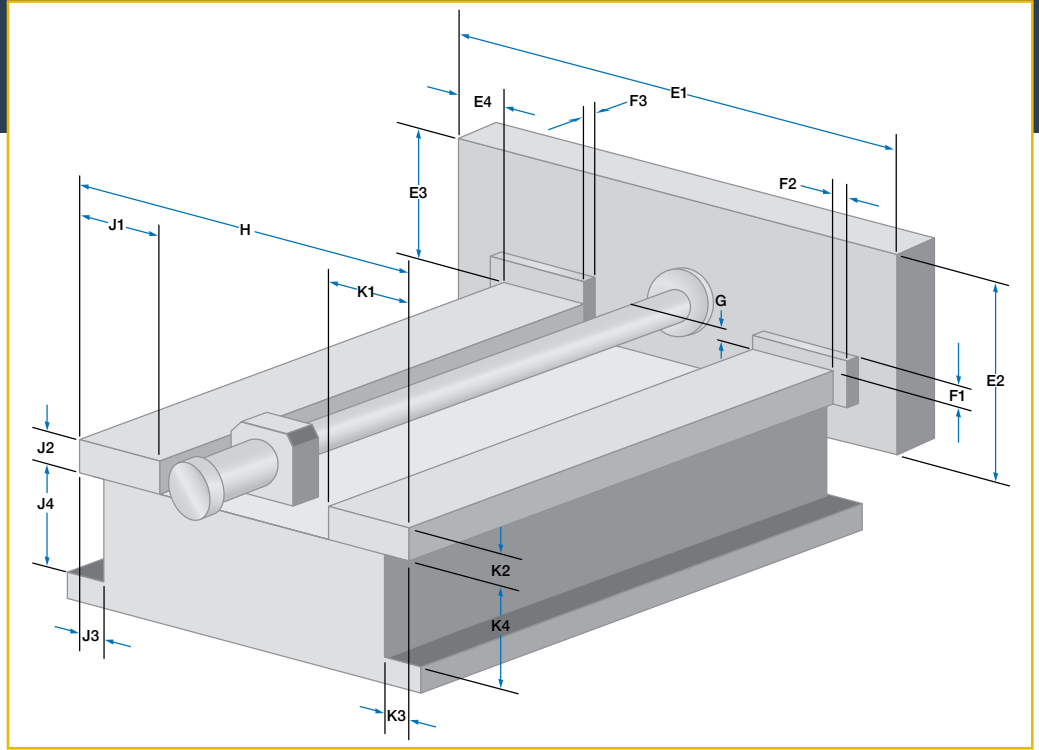
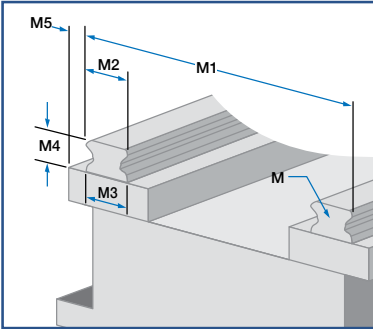
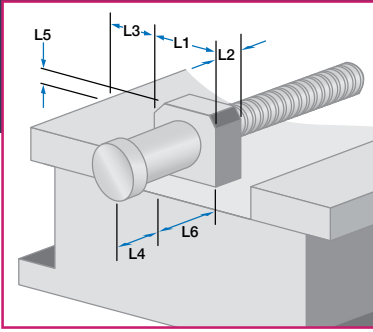
Make _____
Model _____
Axis X Y Z Other
Photos Available? Yes No
DWGs or Sketches available? Yes No

Operating Environment
 Dry Grinding Hot Chip
 Heavy Coolant Other _____
Operating Temperature Range _____
Maximum Travel Speed _____

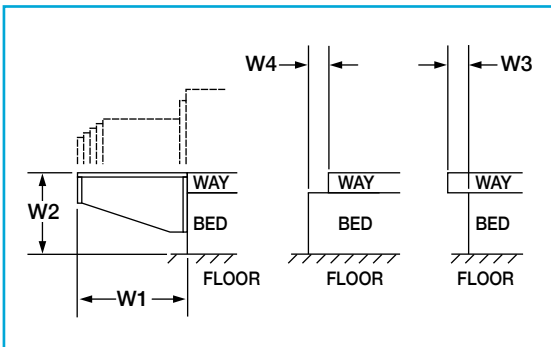
DIMENSIONS

A Extended length _____
B Compressed length _____
C Travel _____
D1 End of way to table when compressed _____
D2 End of way to table at over travel _____
E1 Table width _____
E2 Table height _____
E3 Table height above way _____
E4 Side of way to side of table _____
F1 Way wiper height above way _____
F2 Side of way wipers to side of way _____
F3 Way wiper to table (depth) _____
G Height of ball screw above way _____
H Width over ways _____
J1 Individual width of way _____
J2 Individual height of way _____
J3 Side of way to side of casting _____
J4 Casting distance below way _____
K1 Individual width of way _____

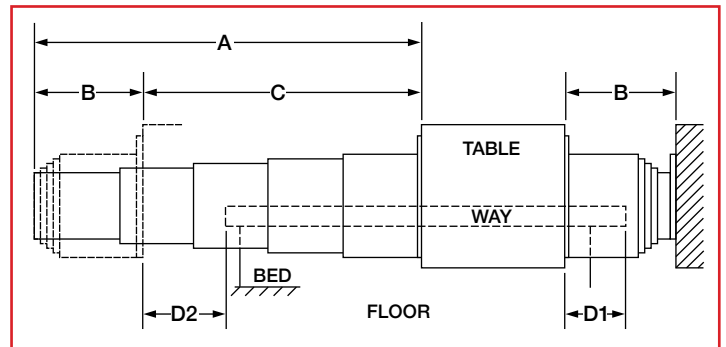
K2 Individual height of way _____
K3 Side of way to side of casting _____
K4 Casting distance below way _____
L1 Width of drive mount _____
L2 Depth of drive mount _____
L3 Side of way to side of drive mount _____
L4 End of way to front of motor _____
L5 Drive mount height above way _____
L6 End of way to drive mount _____
M Rail type _____
M1 Width over linear rails _____
M2 Rail width (top) _____
M3 Rail width (bottom) _____
M4 Rail height _____
M5 Side of casting to side of rail _____
W1 Way extension length _____
W2 Way height to floor _____
W3 Way to bed offset _____
W4 Bed to way offset _____



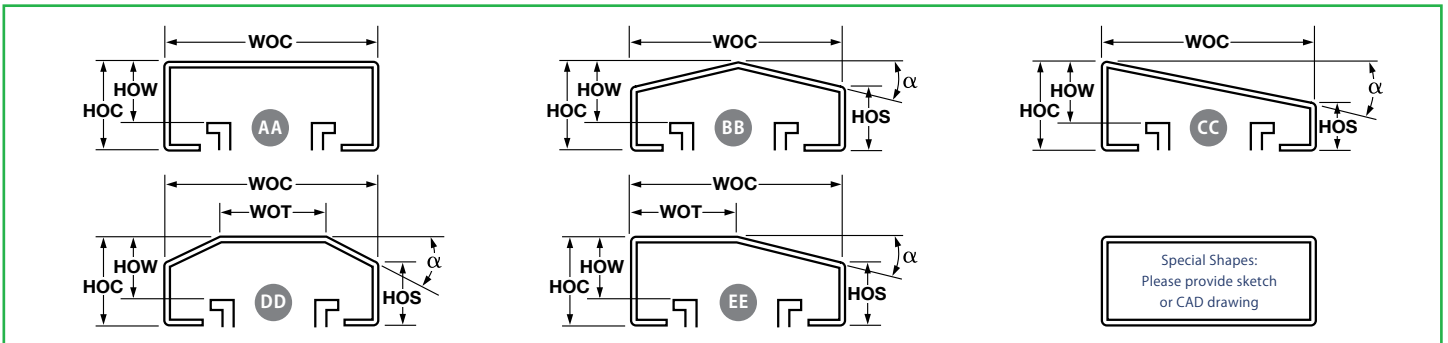
WAY EXTENSION BRACKETS



SIDE VIEW



COVER TYPES



MOUNTING CONFIGURATIONS

